

DER Fachbetrieb für **Signage-LED**

GESAMTPRODUKT  
BROSCHÜRE

für



HYUNDAI | NuriOn LED-Module

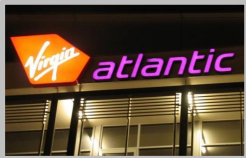


**malux**  
Innovative Lichttechnik

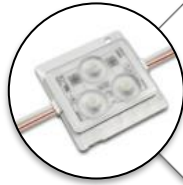


## LED Module (Back-lit)

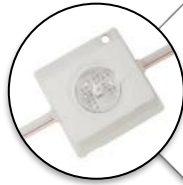
Channel letter  
&  
Box Sign



H-LED 333 MX (For small size letter and box sign)



H-LED 366 MX (For medium size letter and box sign)



H-LED 180 (For medium & large size box sign)



H-LED 359 MX (For large size box sign)



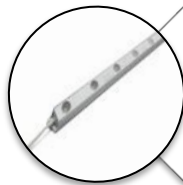
H-LED 358 (For small & medium size box sign)



F-LED 357 HO (For large size box sign)



F-LED 357 PCB (For large size Indoor box sign)



F-LED 357 LONG (For large size box sign)



F-LED 357 PCB LONG (For large size Indoor box sign)

## LED Module (Edge-lit)



# Channel Letter LED Module



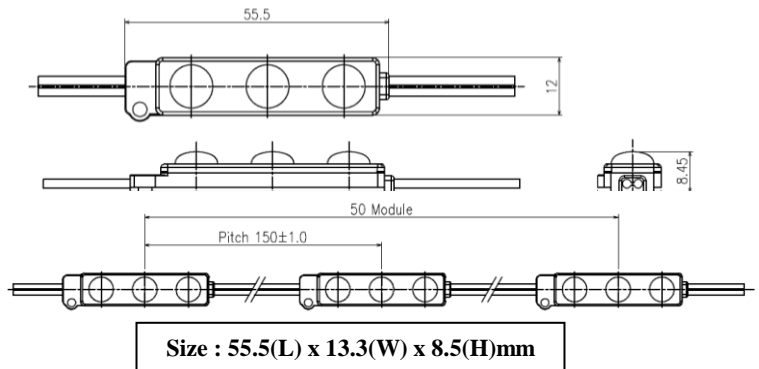
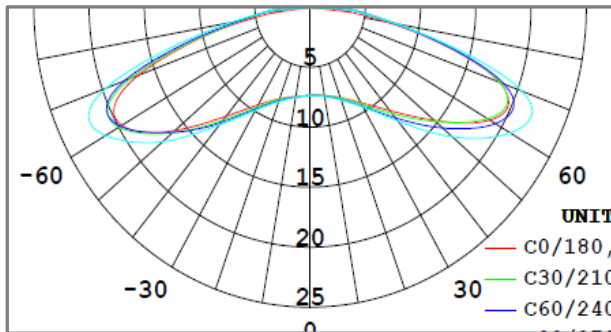
## H-LED 333 MX

**MaXimum Wide  
Beam Angle 170°**

*H-LED 333 MX is the best and cost effective LED lighting Solution  
For Small or Medium size of channel letters and boxes.  
115lm/W in 6500K. Widest Beam Angle 170°  
Applied to Minimum 35mm depth of letters*



<b>Widest Beam Angle 170°</b>	<b>High Efficacy 115 lm/W</b>	<b>Long Life Time 50,000Hrs</b>	<b>Lower Input Volt. 12VDC</b>	<b>Outdoor Protection IP67</b>	<b>Long Warranty 5YEARS</b>
---------------------------------------	---------------------------------------	---	--	--	-------------------------------------



Model (Model No.)	Input Vol.	Power Con.	CCT	Beam angle	CRI	Lum. Flux	Lum. Efficacy	Module No. per a pack
H-LED 333 MX <b>LO</b> 6500K (BFL333-DW12-MX-LO)	12VDC	<b>0.36W</b>	6500K	170°	Ra80	42 lm	115 lm/W	50mod./7.5m 150mm pitch
H-LED 333 MX 6500K (BFL333-DW12-MX)	12VDC	0.66W	6500K	170°	Ra80	76 lm	115 lm/W	
H-LED 333 MX <b>3000K</b> (BFL333-DL12-MX)	12VDC	0.66W	<b>3000K</b>	170°	Ra80	66 lm	110 lm/W	
H-LED 333 MX <b>RED</b> (BFL333-DR12-MX)	12VDC	0.66W	<b>625nm</b>	170°		21 lm		
H-LED 333 MX <b>BLUE</b> (BFL333-DB12-MX)	12VDC	0.66W	<b>465nm</b>	170°		12 lm		
H-LED 333 MX <b>HO</b> 6500K (BFL333-DW12-MX-HO)	12VDC	<b>1W</b>	6500K	170°	Ra80	115 lm	115 lm/W	50mod./10m 200mm Pitch
H-LED 333 MX <b>HO</b> 3000K (BFL333-DL12-MX-HO)	12VDC	<b>1W</b>	<b>3000K</b>	170°	Ra80	110 lm	110 lm/W	

# Channel Letter LED Module



## H-LED 366 MX

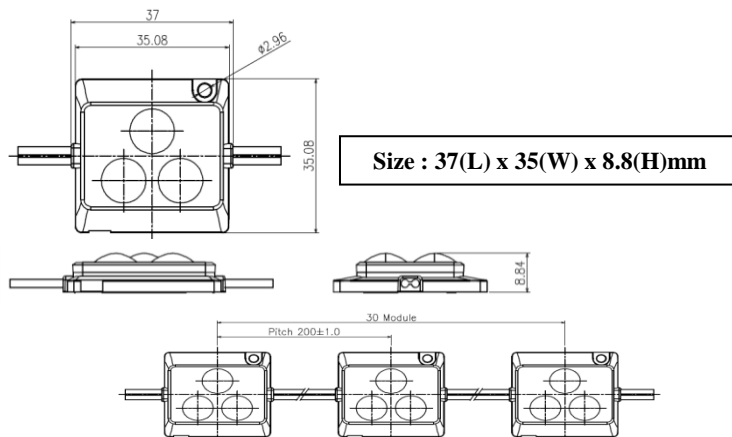
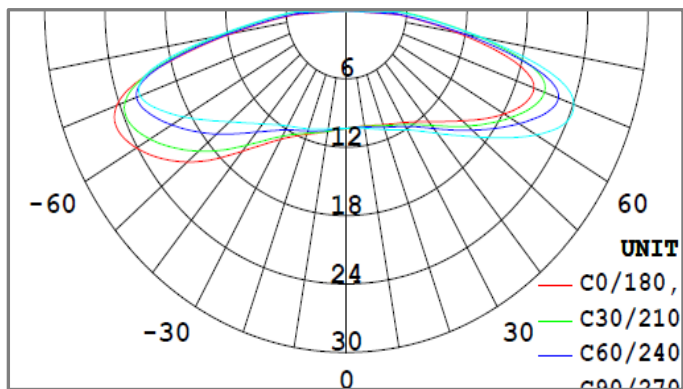


**MaXimum Wide  
Beam Angle 170°**

*H-LED 366 MX is the best and cost effective LED lighting Solution For Medium or Large size of channel letters and boxes.*

*110lm/W , Widest Beam Angle 170°*

- Widest Beam Angle 170°**
- High Efficacy 110 lm/W**
- Long Life Time 50,000Hrs**
- Lower Input Volt. 12VDC**
- Outdoor Protection IP67**
- Long Warranty 5YEARS**



Model (Model No.)	Input Vol.	Power Con.	CCT	Beam angle	CRI	Lum. Flux	Lum. Efficacy	Module No. per a pack
H-LED 366 MX 6500K [BFL366-DW12-MX]	12VDC	1W	6500K	170°	Ra80	110 lm	110 lm/W	30modules (6m) Module pitch 200mm

Operating Temp. : -20°C ~ +70°C

# Channel Letter LED Module



## H-LED 180

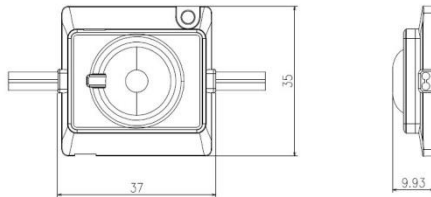
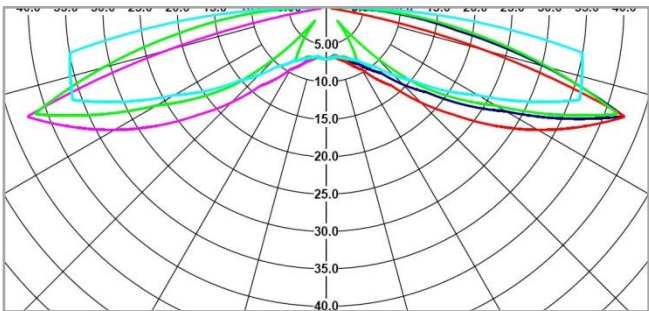
**Ultra Wide Beam**  
**Best Uniformity**



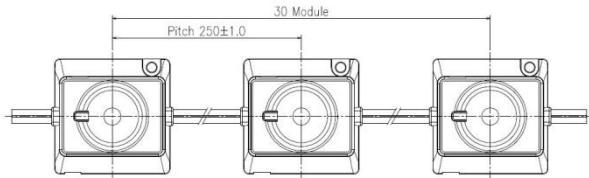
*H-LED 180 is the best and cost effective LED lighting Solution For Medium or Large size of channel letters and boxes.*

*108lm/W , Ultra Wide Beam for the Best uniformity*

<b>Ultra Wide Beam</b>	<b>High Efficacy 108 lm/W</b>	<b>Long Life Time 50,000Hrs</b>	<b>Lower Input Volt. 12VDC</b>	<b>Outdoor Protection IP67</b>	<b>Long Warranty 5YEARS</b>
------------------------	-------------------------------	---------------------------------	--------------------------------	--------------------------------	-----------------------------



**Size : 37(L) x 35(W) x 9.9(H)mm**



Model (Model No.)	Input Vol.	Power Con.	CCT	Beam angle	CRI	Lum. Flux	Lum. Efficacy	Module No. per a pack
H-LED 180 6500K (BFL180-DW12)	12VDC	1.3W	6500K	165°	Ra80	140 lm	108 lm/W	30modules (7.5m) Module pitch 250mm

Operating Temp. : -20°C ~ +50°C

# Channel Letter LED Module



## H-LED 359 MX

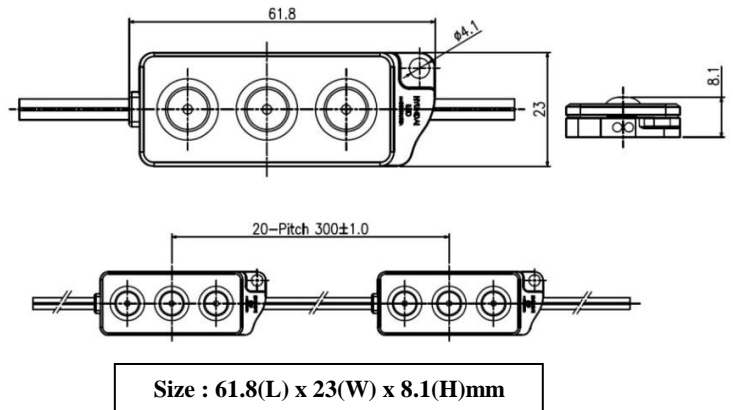
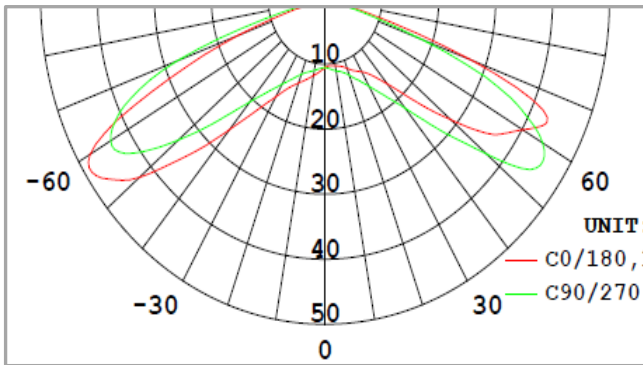
**MaXimum Wide  
Beam Angle 165°**

*H-LED 359 MX is the best and cost effective LED lighting Solution  
For Box sign applications.*

*115lm/W, Widest Beam Angle 165°*



- Widest Beam Angle 165°**
- High Efficacy 115 lm/W**
- Long Life Time 50,000Hrs**
- Lower Input Volt. 24VDC**
- Outdoor Protection IP67**
- Long Warranty 5YEARS**



Model (Model No.)	Input Vol.	Power Con.	CCT	Beam angle	CRI	Lum. Flux	Lum. Efficacy	Module No. per a pack
H-LED 359 MX 6500K (BFL359-DW24-MX)	24VDC	1.6	6500K	165°	Ra80	185 lm	115 lm/W	20modules (6m) Module pitch 300mm

Operating Temp. : -20°C~+50°C

# Edge-lit Box Sign LED Module



## H-LED 358



*H-LED 358 is the best and cost effective LED edge lighting Solution  
For slim and medium size of box sign application*

*Optimized for Smaller depth boxes  
(Min.50mm depth at single face and Min.100mm depth at double face)*

Edge Light

IP67

18x70°

50,000H  
LIFETIME

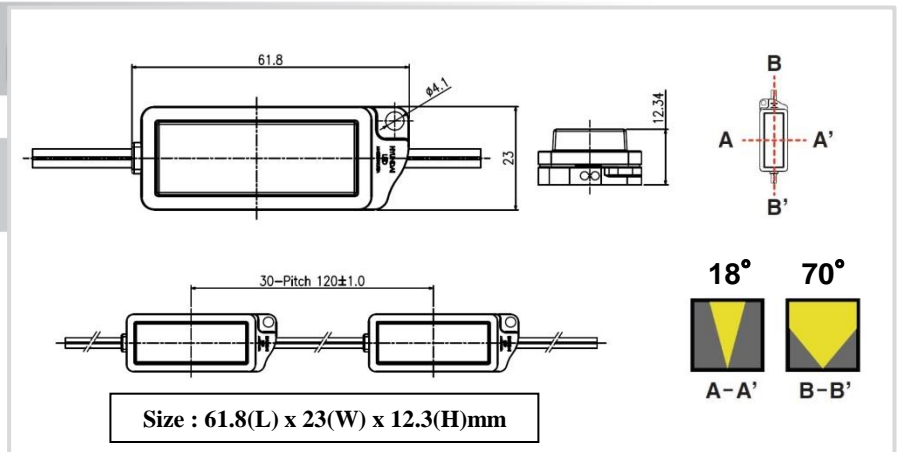
24VDC

5 Years  
warranty

CE

RoHS

C US  
E258512



Model (Model No.)	Input Vol.	Power Con.	CCT	Beam angle	CRI	Lum. Flux	Lum. Efficacy	Module No. per a pack
H-LED 358 6500K (BFL358-DW24)	24VDC	1.92W	6500K	18x70°	Ra80	212 lm	110 lm/W	30modules (3.6m)  Module pitch 120mm

Operating Temp. : -20°C ~ +50°C

# Edge-lit Box Sign LED Module

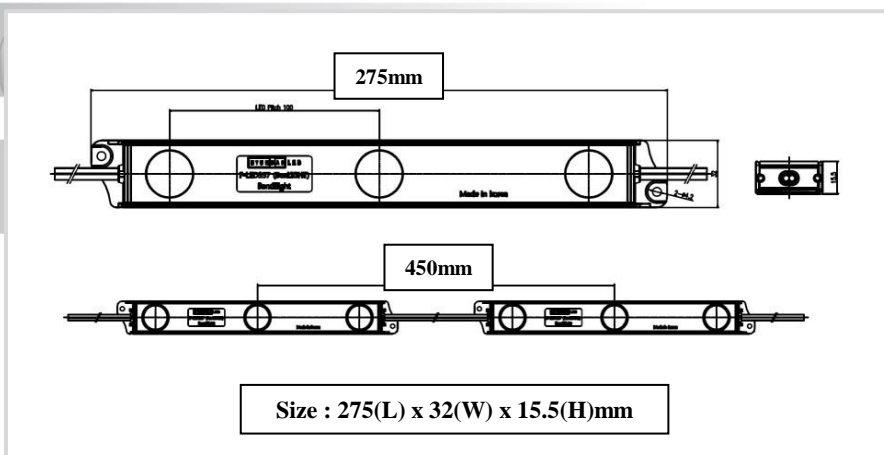


## F-LED 357 HO



*F-LED 357 HO is the best and cost effective LED edge lighting Solution with **high brightness and efficiency** For medium and Large size of box sign application 3 Color Temperatures are available(3000K/4000K/6500K)*

- 
- 
- 
- 
- 
- 
- 
- 
- 



Model (Model No.)	Input Vol.	Power Con.	CCT	Beam angle	CRI	Lum. Flux	Lum. Efficacy	Module No. per a pack
F-LED 357 HO 6500K (BFL357-DW12-HO)	12VDC	7.5W	6500K	10x50°	Ra80	825 lm	110 lm/W	8modules (3.6m) Module pitch 450mm
F-LED 357 HO 4000K (BFL357-DN12-HO)	12VDC	7.5W	4000K	10x50°	Ra80	770 lm	103 lm/W	
F-LED 357 HO 3000K (BFL357-DL12-HO)	12VDC	7.5W	3000K	10x50°	Ra80	675 lm	90 lm/W	

Operating Temp. : -20°C ~ +50°C



# Edge-lit Box Sign LED Module

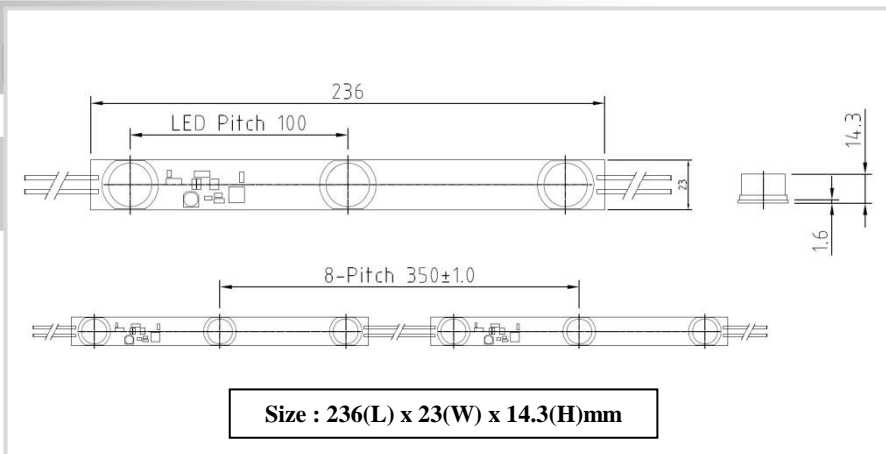
**FOR INDOOR BOXES**

# F-LED 357 PCB



*F-LED 357 PCB is the best and cost effective LED edge lighting Solution with **high brightness and efficiency** For Indoor box sign application 3 Color Temperatures are available(3000K/4000K/6500K)*

- Edge Light**
- Indoor Use Only**
- 10x50°**
- 50,000H LIFETIME**
- 12VDC**
- 5 Years warranty**
- CE**
- RoHS**
- cULus E258512**



Model (Model No.)	Input Vol.	Power Con.	CCT	Beam angle	CRI	Lum. Flux	Lum. Efficacy	Module No. per a pack
F-LED 357 PCB 6500K (BFL357-DW12-PCB)	12VDC	7.5W	6500K	10x50°	Ra80	825 lm	110 lm/W	8modules (2.8m)
F-LED 357 PCB 4000K (BFL357-DN12-PCB)	12VDC	7.5W	4000K	10x50°	Ra80	770 lm	103 lm/W	
F-LED 357 PCB 3000K (BFL357-DL12-PCB)	12VDC	7.5W	3000K	10x50°	Ra80	675 lm	90 lm/W	Module pitch 350mm

Operating Temp. : -20°C ~ +50°C

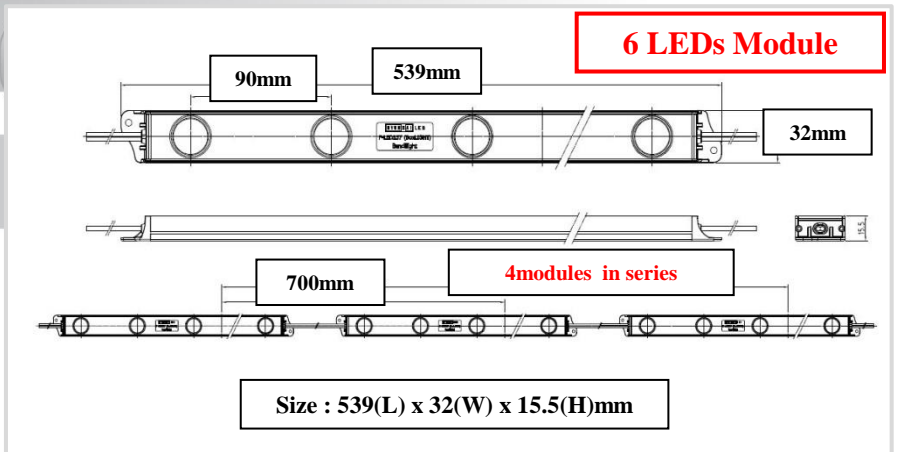
# Edge-lit Box Sign LED Module

**F-LED 357 LONG**



*F-LED 357 LONG is the powerful and cost effective LED edge lighting Solution with high brightness and efficiency For Large size of box sign application 3 Color Temperatures are available(3000K/4000K/6500K)*

- Edge Light
- IP67
- 10x50°
- 50,000H LIFETIME
- 12VDC
- 5 Years warranty
- CE
- RoHS
- UL E258512



Model (Model No.)	Input Vol.	Power Con.	CCT	Beam angle	CRI	Lum. Flux	Lum. Efficacy	Module No. per a pack
F-LED 357 LONG 6500K (BFL357-DW12-LONG)	12VDC	15W	6500K	10x50°	Ra80	1650 lm	110 lm/W	4modules (2.8m) Module pitch 700mm
F-LED 357 LONG 4000K (BFL357-DN12-LONG)	12VDC	15W	4000K	10x50°	Ra80	1540 lm	103 lm/W	
F-LED 357 LONG 3000K (BFL357-DL12-LONG)	12VDC	15W	3000K	10x50°	Ra80	1350 lm	90 lm/W	

Operating Temp. : -20°C ~ +50°C

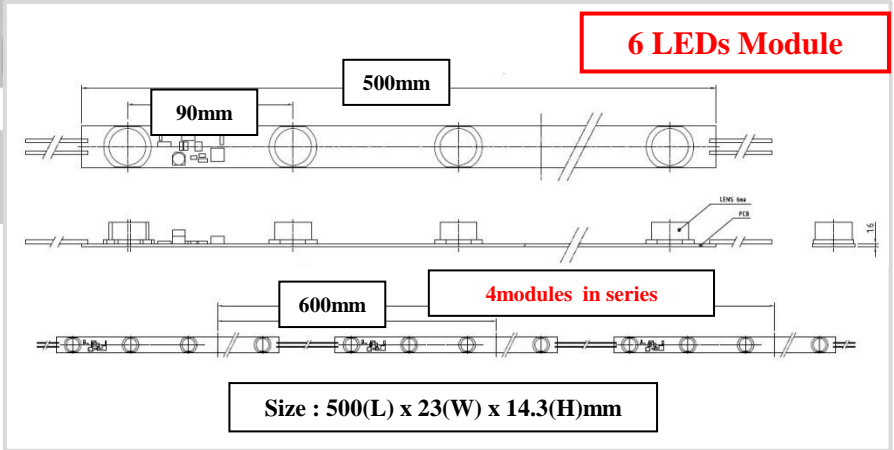
# Edge-lit Box Sign LED Module

**F-LED 357 PCB LONG**



*F-LED 357 PCB LONG is the powerful and cost effective LED edge lighting Solution with high brightness and efficiency For Large size of Indoor box sign application 3 Color Temperatures are available(3000K/4000K/6500K)*

- Edge Light
- Indoor Use Only
- 10x50°
- 50,000H LIFETIME
- 12VDC
- 5 Years warranty
- CE
- RoHS
- C US E258512



Model (Model No.)	Input Vol.	Power Con.	CCT	Beam angle	CRI	Lum. Flux	Lum. Efficacy	Module No. per a pack
F-LED 357 PCB LONG 6500K (BFL357-DW12-PCB LONG)	12VDC	15W	6500K	10x50°	Ra80	1650 lm	110 lm/W	4modules (2.4m) Module pitch 600mm
F-LED 357 PCB LONG 4000K (BFL357-DN12-PCB LONG)	12VDC	15W	4000K	10x50°	Ra80	1540 lm	103 lm/W	
F-LED 357 PCB LONG 3000K (BFL357-DL12-PCB LONG)	12VDC	15W	3000K	10x50°	Ra80	1350 lm	90 lm/W	

Operating Temp. : -20°C ~ +50°C



## KONTAKT



(06423) 544 60-0



Sandhute 7  
35094 Lahntal



[info@malux.de](mailto:info@malux.de)



[www.malux.de](http://www.malux.de)



Folgen Sie uns auch auf  
Instagram: [@maluxgmbh](https://www.instagram.com/maluxgmbh)