



Product Description:

- Constant voltage LED power supply
- Universal input voltage range
- Constant output voltage
- Connection cable with stripped cable end (length approx. 300 mm)
- Polarity identifiers, secondary + red / - black
- Nominal lifetime >50,000 h (at 230Vac, full load, Tc 75°C)
- 7-year guarantee (for Tc: 75°C)
- Complies with Class C according to EN 61000 -3-2
- Suitable for emergency installation according EN 55015



Properties:

- Small design
- Low power loss
- Overtemperature and overload protection
- Short-circuit shutdown feature w/automatic restart
- Surge protection
- Type of protection: IP68
- Metal casing, encapsulated



ORDERING GUIDE

Type	PS12-36W-GN-B
Article Number	28000508B
Packaging Carton	30 pc(s).
Package Dimensions (L x W x L)	7.87 x 2.95 x 1.97 in. (200 x 75 x 50 mm)
Weight per pc.	1 lb (0.45 kg)
Carton Dimensions (L x W x L)	16.34 x 15.75 x 6.69 in. (415 x 400 x 170 mm)
Carton Weight	33.1 lb (15 kg)

SPECIFIC TECHNICAL DATA

Type	PS12-36W-GN-B
Max. Casing Temp T _c	194° F (90° C)
Output Voltage	12.5 V
Max. Input Power	36 W
Rated Output Current	3.0 A
Max. Output Voltage	13.2 V

STANDARD COMPLIANCE

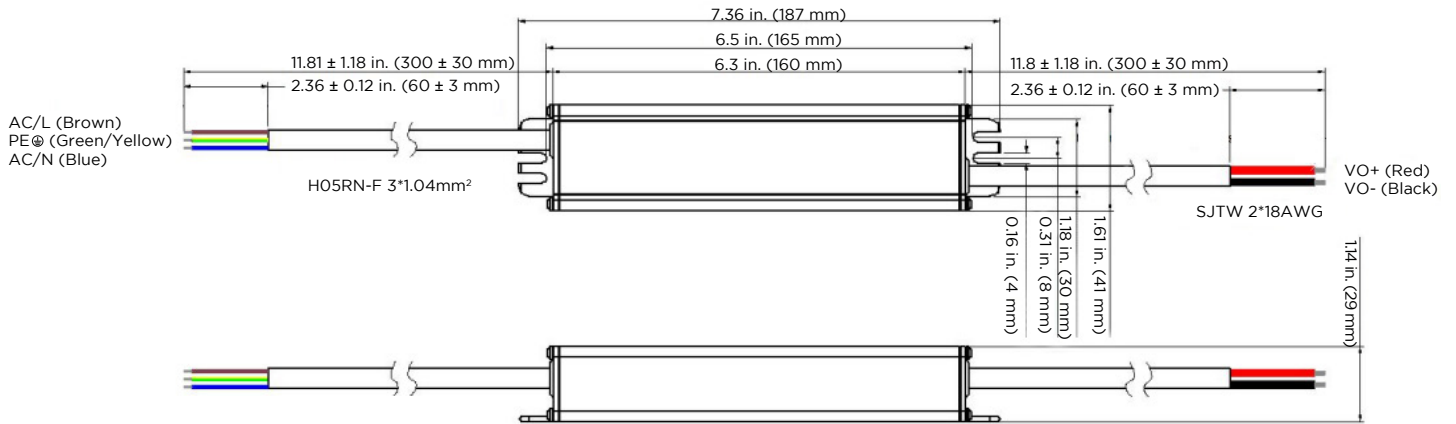
Safety	Safety Standards
Certifications	CE, RoHS, MM
Protections	OPT, OVP, OLP, SCP

TECHNICAL DATA

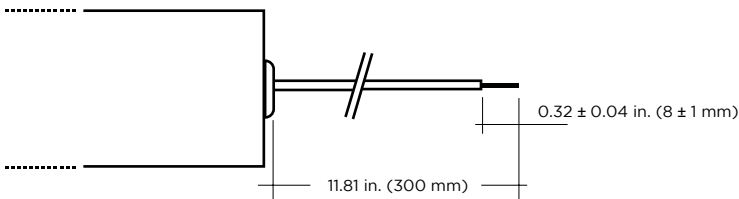
Input Voltage Range	100 - 277 VAC
Max input current	0.25 A
Mains Frequency	50 - 60 Hz
Efficiency (at 230 VAC)	85%
λ (at 230 V, 50 Hz, full load)	0.97
THD	< 20%
PF	≥ 0.9 @ 230 VAC
Rated Output Power	36 W
Inrush Current (cold start)	≤ 50 A
Turn On Time (cold start)	≤ 500ms
Ambient Temperature T _a	-40° — +140° F (-40 ~ +60° C)
Storage Temperature T _s	-40° — +176° F (-40 ~ +80° C)
Dimensions (L x W x H)	7.36 x 1.61 x 1.14 in. (187 x 41 x 29 mm)
Weight	1 lb (0.45 kg)



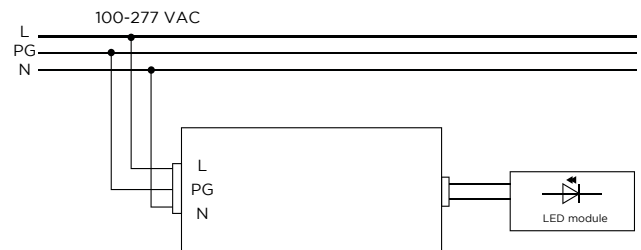
DIMENSION DRAWINGS



CONNECTION



WIRING DIAGRAM



Primary Cable			Secondary Cable	
L	N	PG	+	-
brown	blue	green/yellow	red	black