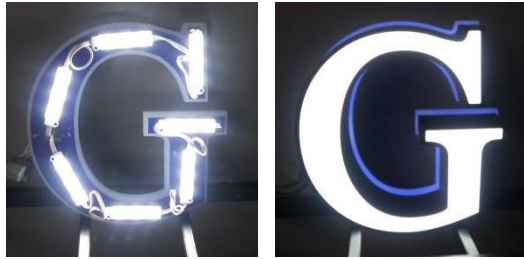


# Channel Letter LED Module



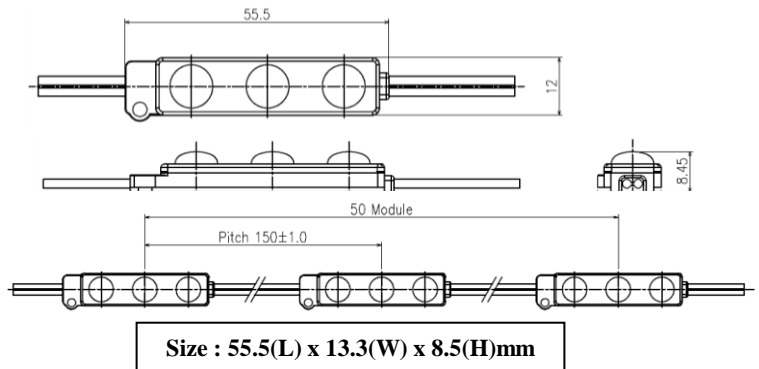
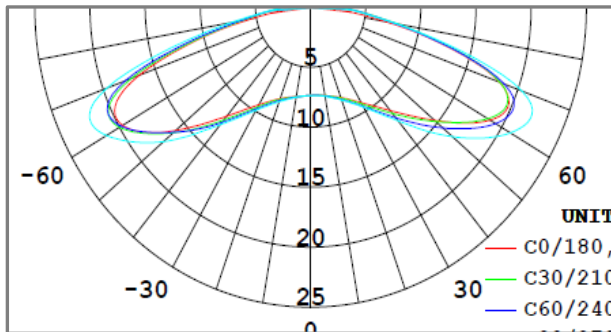
## H-LED 333 MX

**MaXimum Wide  
Beam Angle 170°**

*H-LED 333 MX is the best and cost effective LED lighting Solution  
For Small or Medium size of channel letters and boxes.  
115lm/W in 6500K. Widest Beam Angle 170°  
Applied to Minimum 35mm depth of letters*



<b>Widest Beam Angle 170°</b>	<b>High Efficacy 115 lm/W</b>	<b>Long Life Time 50,000Hrs</b>	<b>Lower Input Volt. 12VDC</b>	<b>Outdoor Protection IP67</b>	<b>Long Warranty 5YEARS</b>
---------------------------------------	---------------------------------------	---	--	--	-------------------------------------



Model (Model No.)	Input Vol.	Power Con.	CCT	Beam angle	CRI	Lum. Flux	Lum. Efficacy	Module No. per a pack
H-LED 333 MX <b>LO</b> 6500K (BFL333-DW12-MX-LO)	12VDC	<b>0.36W</b>	6500K	170°	Ra80	42 lm	115 lm/W	50mod./7.5m 150mm pitch
H-LED 333 MX 6500K (BFL333-DW12-MX)	12VDC	0.66W	6500K	170°	Ra80	76 lm	115 lm/W	
H-LED 333 MX <b>3000K</b> (BFL333-DL12-MX)	12VDC	0.66W	<b>3000K</b>	170°	Ra80	66 lm	110 lm/W	
H-LED 333 MX <b>RED</b> (BFL333-DR12-MX)	12VDC	0.66W	<b>625nm</b>	170°		21 lm		
H-LED 333 MX <b>BLUE</b> (BFL333-DB12-MX)	12VDC	0.66W	<b>465nm</b>	170°		12 lm		
H-LED 333 MX <b>HO</b> 6500K (BFL333-DW12-MX-HO)	12VDC	<b>1W</b>	6500K	170°	Ra80	115 lm	115 lm/W	50mod./10m 200mm Pitch

Operating Temp. : -20°C ~ +70°C