

*HYUNDAI LED
Back-lit Box Sign
LED Module*

H-LED₃₅₉



H-LED 359 ist die beste und effektivste LED -Beleuchtungslösung für kleine und flache Leuchtkästen

GLOBAL
HYUNDAI
GROUP

5 Years
warranty

10 Years
Field
Experience

Back
Light

IP67

160°

50,000H
LIFETIME

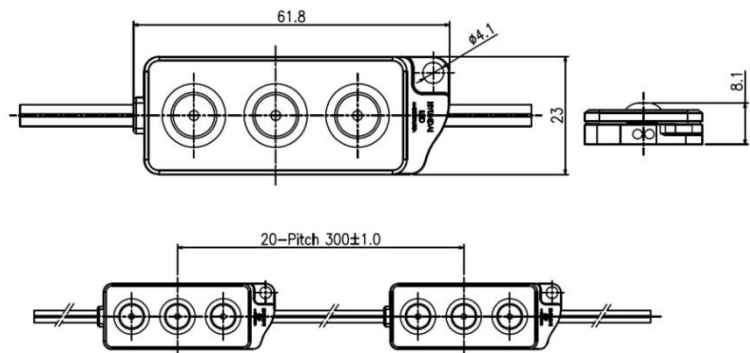
24VDC

EASY
INSTALLATION

CE

RoHS

C **UL** **US**
E258512



Size : 61.8(L) x 23(W) x 8.1(H)mm

Model (Model No.)	Input Vol.	Power Con.	CCT	Beam angle	CRI	Lum. Flux	Lum. Efficacy	Module No. per a pack
H-LED 359 6500K (BFL359-DW24)	24VDC	1.6	6500K	160°	Ra80	185 lm	115 lm/W	20modules (6m) Module pitch 300mm

Operating Temp. : -20°C ~ +50°C